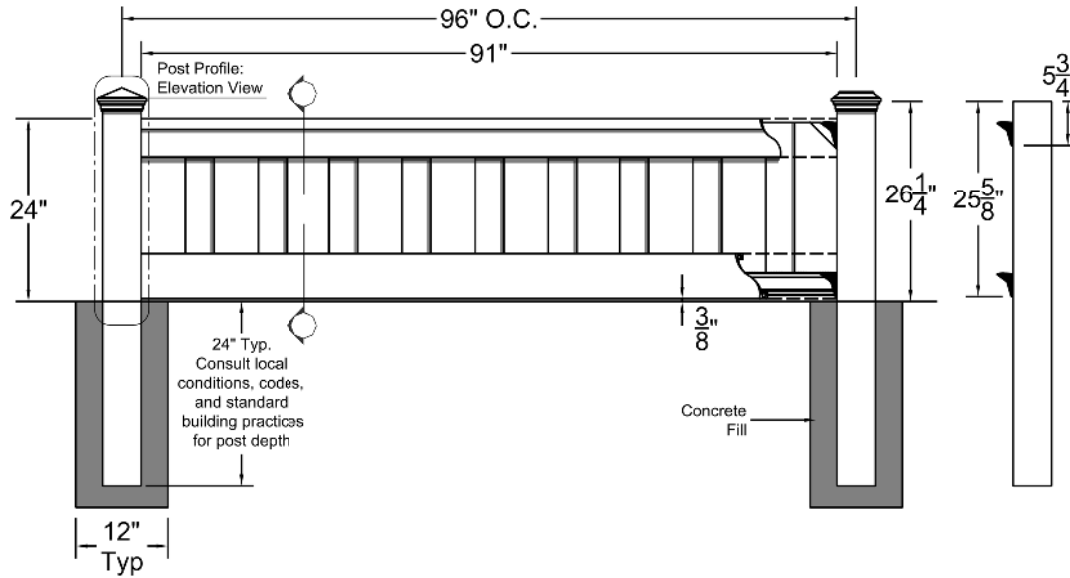


Trex® Seclusions®

COMPOSITE FENCING SYSTEM

ARCHITECTURAL DRAWING:
TREX SECLUSIONS FENCING
2' TALL x 8' WIDE

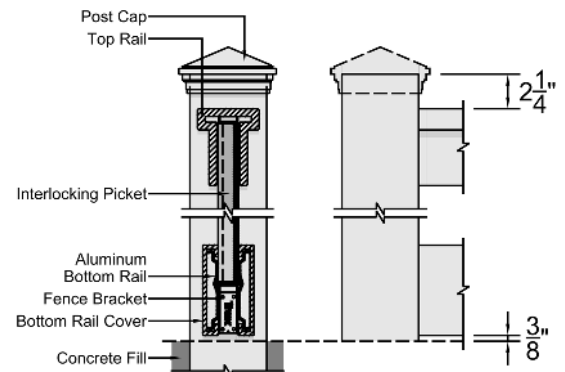


| COMPONENTS | QUANTITY | LENGTH |
|-------------------------------------------------|----------|---------|
| Post Cap: Pyramid, Flat, or Crown | 1 | |
| 5" x 5" Post | .5 | 108" * |
| 4" x 4.9" Top Rail | 1 | 91" * |
| 1" x 5.75" Interlocking Picket (Cut to 19 1/2") | 6.3 | 67" * |
| 1" x 5.75" Bottom Rail Cover | 2 | 91" * |
| Aluminum Bottom Rail | 1 | 90 1/2" |
| Fence Bracket | 4 | |
| 1 5/8" (Typ) Exterior Wood Screws | 24 | |

* Length may vary

NOTES:

1. INSTALLATION TO BE COMPLETED PER MANUFACTURER'S SPECIFICATION.
2. THIS DRAWING IS PROVIDED FOR PLANNING PURPOSES. REFER TO MANUFACTURER'S INSTALLATIONS FOR CONSTRUCTION DETAILS.
3. REFER TO MANUFACTURER'S WEBSITE FOR PRODUCT INFORMATION.
4. DRAWING NOT TO SCALE.



Post Profile: Cut View / Elevation View

160 EXETER DR., WINCHESTER VA, 22603

WWW.TREXFENCING.COM

Trex®, the Trex® logo, and Trex Seclusions® are either federally registered trademarks, trademarks or trade dress of Trex Company, Inc., Winchester Virginia or its licensees. Copyright © 2019 RLA Designs. All rights reserved.