

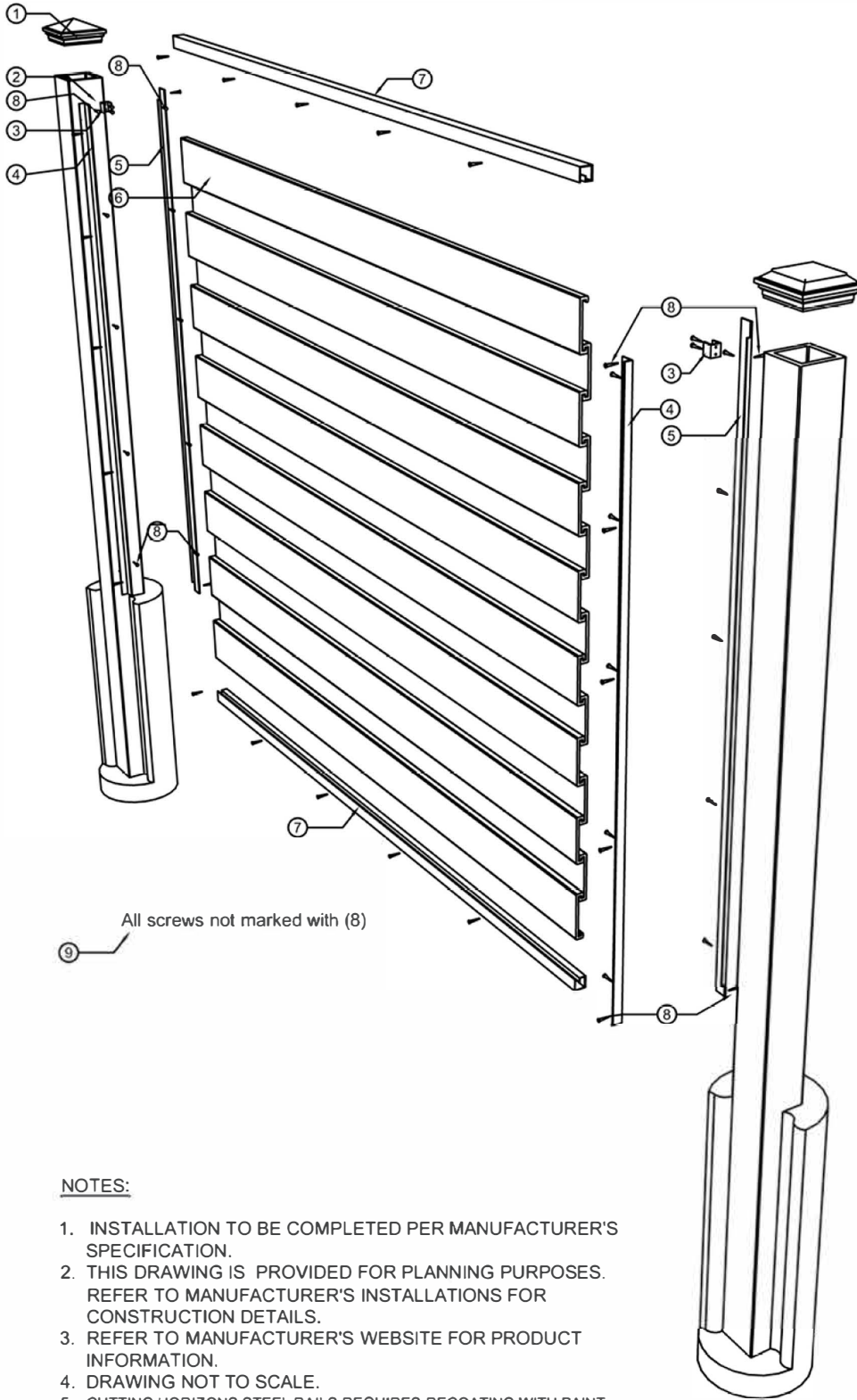
Trex® Horizons Composite Fencing

SRF Fence & Supply Co.

Trex®
Fence Distribution

Trex Company National Distribution Partner

ARCHITECTURAL DRAWING:
TREX HORIZONS FENCING
EXPLODED VIEW



BILL OF MATERIAL FOR AN 6' SECTION OF HORIZONS FENCING			
ITEM No.	DESCRIPTION	QUANTITY	LENGTH
1	Post Cap	1	N/A
2	Fence Post	1	108"
3	Rail Bracket	2	N/A
4	Vertical Front Rail	2	73 1/2"
5	Vertical Back Rail	2	73 1/2"
6	Pickets	15	91"
7	Horizontal Rail	2	91"

SCREWS	DIRECTIONS
#12-11 X 1" Large Black Hex Head Screw	Used for mounting brackets and vertical rails to post
#8-15 X 5/8" Small Black Hex Head Screw	Used for attaching horizontal and vertical front rails to pickets
#8-18 X 3/4" Self Tapping Black Hex Head Screw	Used for attaching vertical front rails to horizontal rails in corners

NOTES:

1. INSTALLATION TO BE COMPLETED PER MANUFACTURER'S SPECIFICATION.
2. THIS DRAWING IS PROVIDED FOR PLANNING PURPOSES. REFER TO MANUFACTURER'S INSTALLATIONS FOR CONSTRUCTION DETAILS.
3. REFER TO MANUFACTURER'S WEBSITE FOR PRODUCT INFORMATION.
4. DRAWING NOT TO SCALE.
5. CUTTING HORIZONS STEEL RAILS REQUIRES RECOATING WITH PAINT

TREX HORIZONS FENCE EXPLODED VIEW

SRF Fence & Supply Co.

Trex®
Fence Distribution

www.buytrexfencing.com
855.620.TREX (8739)
SRF Fence & Supply Co.
1745 Shea Center Dr., Ste. 370
Highlands Ranch, CO 80129

Trex® and the Trex® logo are either federally registered trademarks, trademarks or trade dress of Trex Company, Inc., Winchester, Virginia or its licensees.