

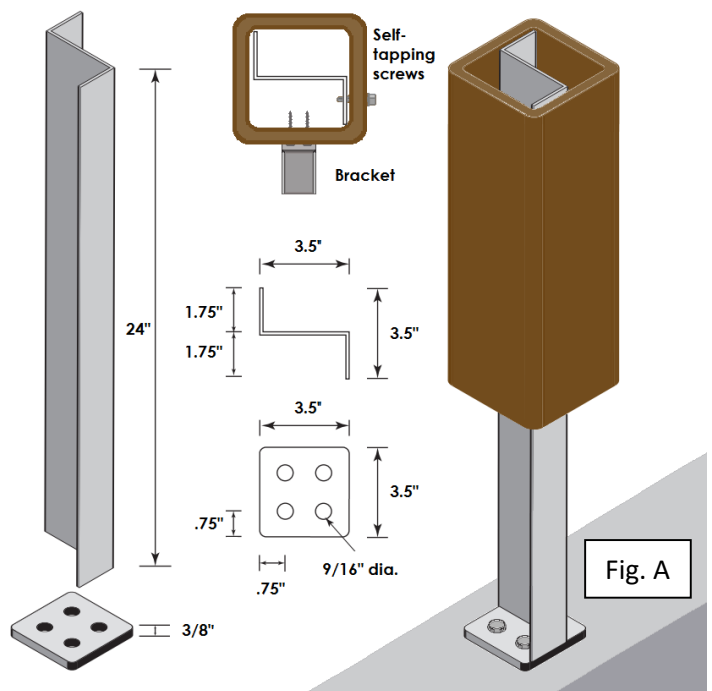
1. Drill four holes for concrete anchors.
2. Fill holes with epoxy and attach base with 1/2" concrete anchors. (Be sure to attach mount with tabs running parallel to wall. This will allow Trex brackets to be attached without screws striking mount. See Fig A).
3. Sleeve Trex post over mount. Plumb post.
4. Secure Trex post to steel mount with self-tapping screws to ensure post does not move. (Tip: if desired, paint heads of self-tapping screws to match fence post).

**Specifications:**

- 14 ga. galvanized steel tower; 3/8" base
- Four 1/2" concrete anchors
- Coating thickness: G30-G90

*Disclaimer:* Measurements may vary slightly. Before mounting, use the actual base as a template for correct hole placement

Whenever a post mount is installed, it should be attached in a manner to ensure it will be secure from movement. Evaluate your installation environment to determine beforehand if the mounting surface is sufficiently strong to support the weight of the fence and the force of wind. The wall mount method is offered as a suggestion for securing a fence on top of a wall and is not part of the standard installation process. Wall mounts are not Trex products and are not covered under warranty. Engineering may be necessary to determine if wall mounts will perform properly for your application. We do not recommend using mounts for high wind areas, for walls less than 8" wide and that do not have a footer, for gates, or fences taller than 6'.



For additional questions about this aftermarket product, contact the Trex Fencing distributors.