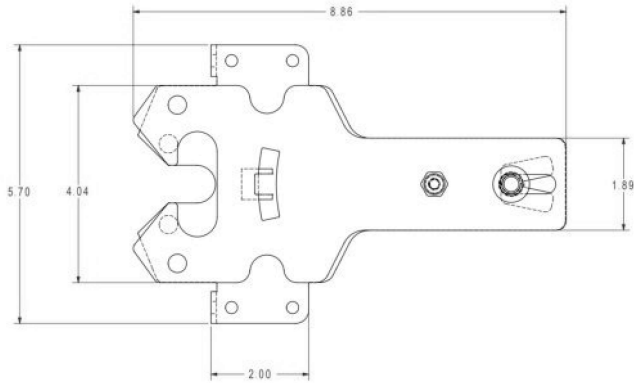
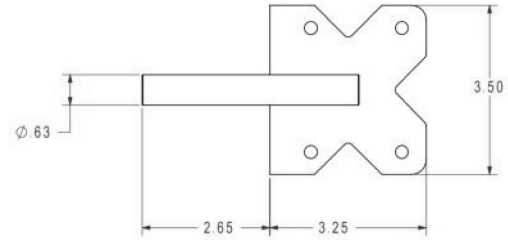




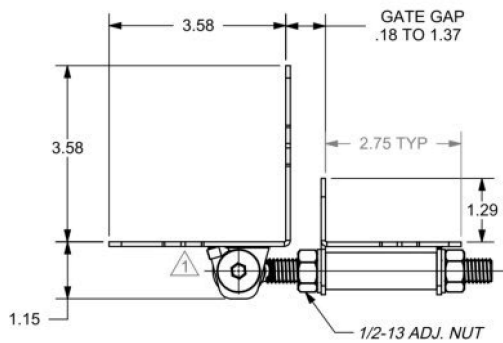
**TREX FENCE GATE HARDWARE**



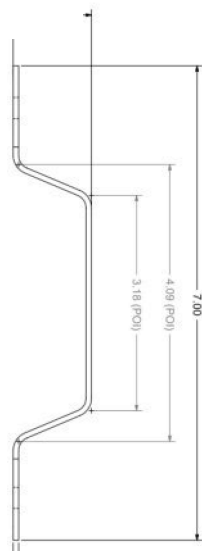
**SINGLE & DOUBLE GATE LATCH**



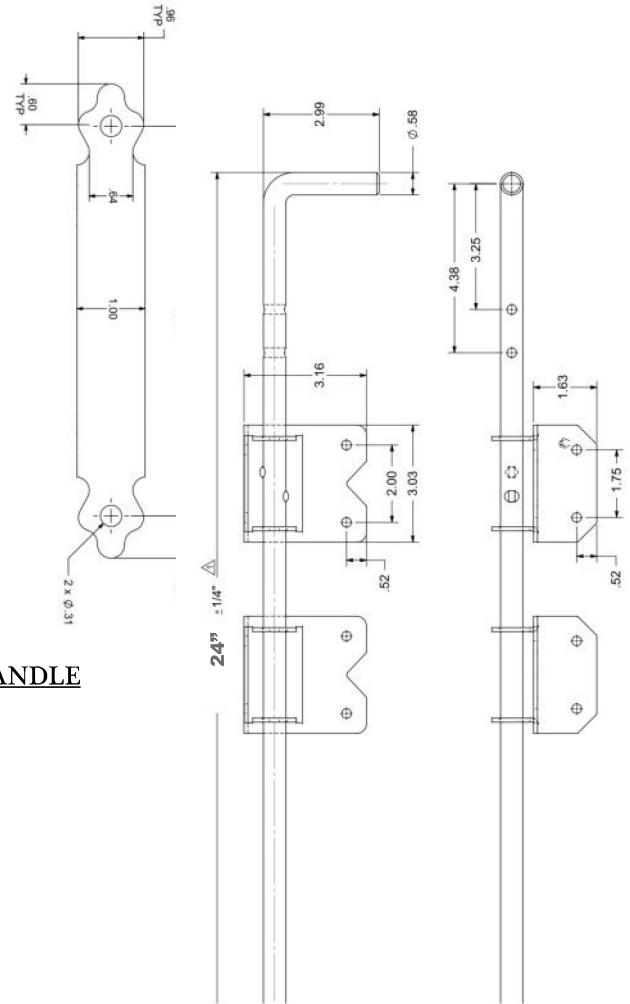
**SINGLE & DOUBLE GATE STRIKER**



**ADJUSTABLE HINGE**



**GATE HANDLE**



**DROP ROD ASSEMBLY**

**NOTE:**

1. GATE HARDWARE MANUFACTURERS MAY VARY.
2. DRAWING NOT TO SCALE.

WWW.TREXFENCINGSRF.COM

855-620-TREX(8739)

THIS DRAWING AND DESIGN ARE THE EXCLUSIVE PROPERTY OF SRF FENCE, ARE PROTECTED UNDER U.S. COPYRIGHT LAWS AND ANY USE, MODIFICATION, OR COPYING IS EXPRESSLY PROHIBITED WITHOUT THE PRIOR WRITTEN CONSENT OF SRF FENCE. FAILURE TO OBTAIN PERMISSION SHALL CONSTITUTE COPYRIGHT INFRINGEMENT AND SHALL BE SUBJECT TO LEGAL ACTION