

Trex® Seclusions®

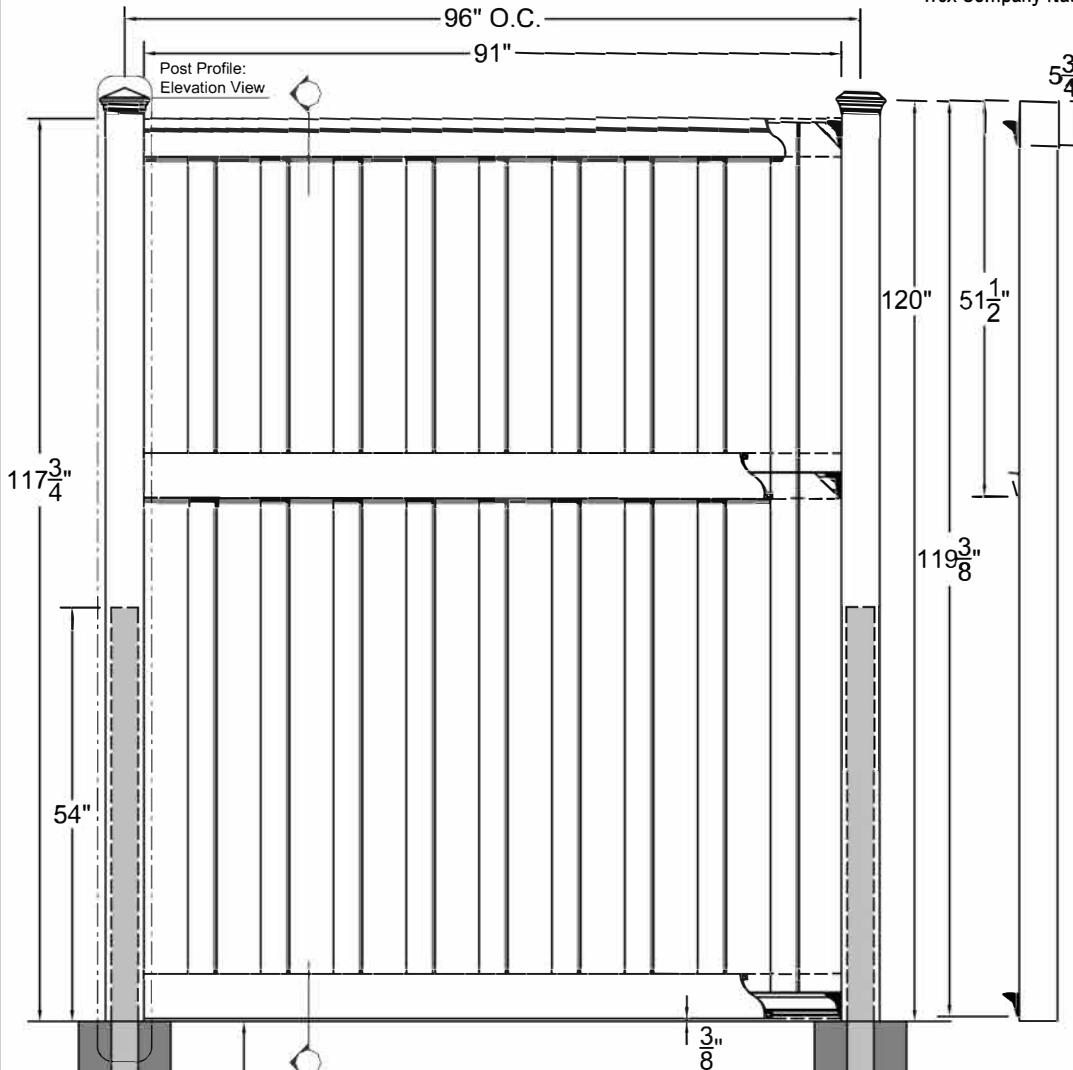
COMPOSITE FENCING SYSTEM

SRF Fence & Supply Co.

Trex®
Fence Distribution

Trex Company National Distribution Partner

ARCHITECTURAL DRAWING:
TREX SECLUSIONS FENCING
10' TALL x 8' WIDE



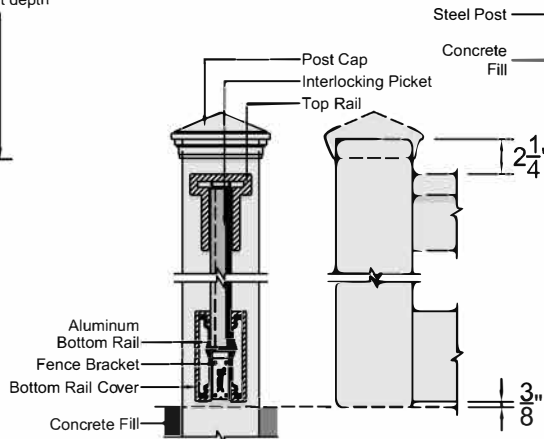
COMPONENTS	QUANTITY	LENGTH
Post Cap: Pyramid, Flat	1	
5" x 5" Post	1	144" *
3.5"x3.5"x3/16 Galv. Steel Post	1	108"
4" x 4.9" Top Rail	1	91" *
1"x5.75" Interlocking Picket	19	67" *
1"x5.75" Interlocking Picket (Cut to 45 3/8")	9.5	91" *
1" x 5.75" Bottom Rail Cover	4	91" *
Aluminum Bottom Rail	2	90 1/2"
Fence Bracket	6	
1 1/2" Wood Screw	24	
3/4" x #8 Wood Screw	8	
1" Wood Screw	4	
1 1/2" x #14 Self-tapping Screw	2	

* Length may vary

NOTES:

1. INSTALLATION TO BE COMPLETED PER MANUFACTURER'S SPECIFICATION.
2. THIS DRAWING IS PROVIDED FOR PLANNING PURPOSES. REFER TO MANUFACTURER'S INSTALLATIONS FOR CONSTRUCTION DETAILS.
3. REFER TO MANUFACTURER'S WEBSITE FOR PRODUCT INFORMATION.
4. DRAWING NOT TO SCALE.

54" Typ.
Consult local conditions, codes, and standard building practices for post depth



Post Profile: Cut View / Elevation View

SRF Fence & Supply Co.

Trex®
Fence Distribution

www.trexfencingsrf.com

855.620.TREX (8739)

SRF Fence & Supply Co.

1745 Shea Center Dr., Ste. 370
Highlands Ranch, CO 80129