

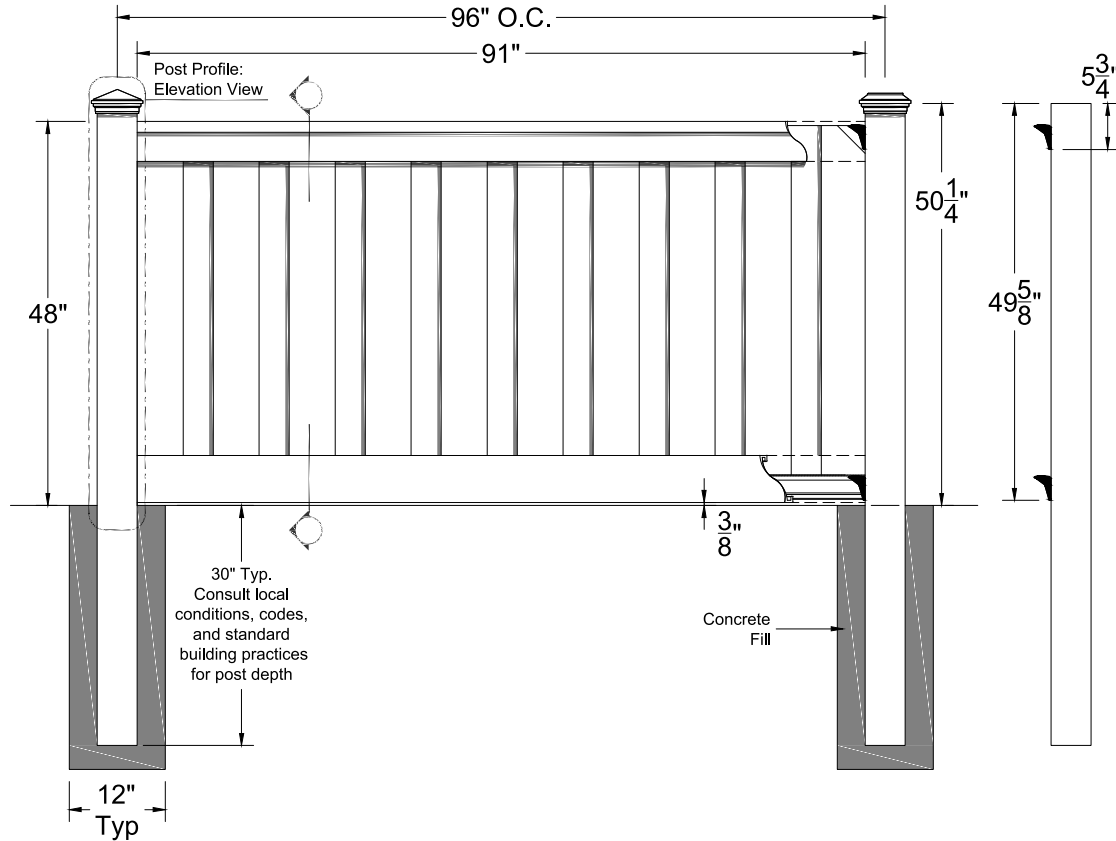
Trex® Seclusions® Composite Fencing

SRF Fence & Supply Co.

Trex®
Fence Distribution

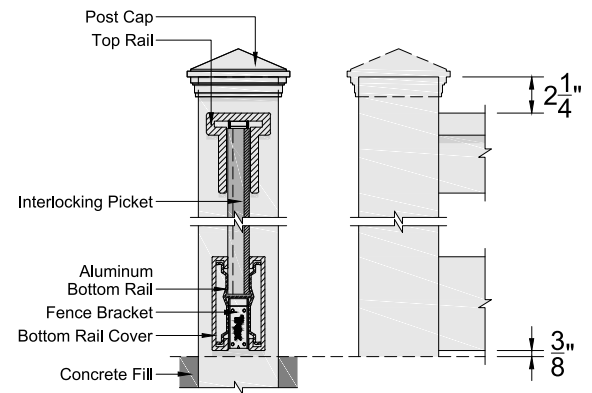
Trex Company National Distribution Partner

ARCHITECTURAL DRAWING:
TREX SECLUSIONS FENCING
4' TALL x 8' WIDE



COMPONENTS	QUANTITY	LENGTH
Post Cap: Pyramid, Flat,	1	
5" x 5" Post	1	106" *
4" x 4.9" Top Rail	1	91" *
1"x5.75" Interlocking Picket (Cut to 43 1/2")	9.5	91" *
1" x 5.75" Bottom Rail Cover	2	91" *
Aluminum Bottom Rail	1	90 1/2"
Fence Bracket	4	
1 5/8" (Typ) Exterior Wood Screws	24	

* Length may vary



Post Profile: Cut View / Elevation View

NOTES:

1. INSTALLATION TO BE COMPLETED PER MANUFACTURER'S SPECIFICATION.
2. THIS DRAWING IS PROVIDED FOR PLANNING PURPOSES. REFER TO MANUFACTURER'S INSTALLATIONS FOR CONSTRUCTION DETAILS.
3. REFER TO MANUFACTURER'S WEBSITE FOR PRODUCT INFORMATION.
4. DRAWING NOT TO SCALE.

SRF Fence & Supply Co.

Trex®
Fence Distribution

www.trefencingsrf.com

855.620.TREX (8379)

SRF Fence & Supply Co.

1745 Shea Center Dr., Ste. 370

Highlands Ranch, CO 80129

Trex®, the Trex® logo, and Trex Seclusions® are either federally registered trademarks, trademarks or trade dress of Trex Company, Inc., Winchester, Virginia or its licensees.