

Trex® Seclusions®

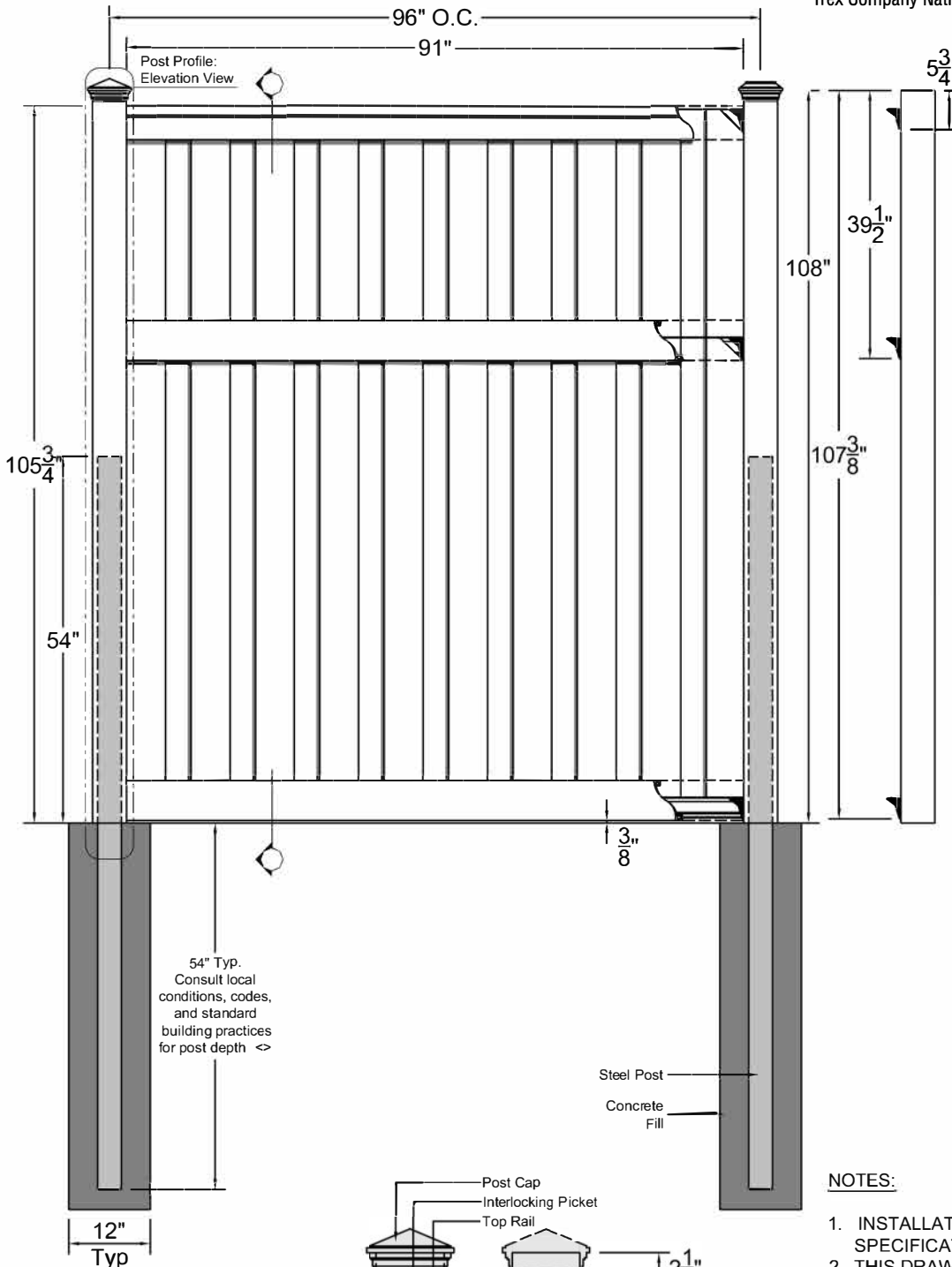
COMPOSITE FENCING SYSTEM

SRF Fence & Supply Co.

Trex®
Fence Distribution

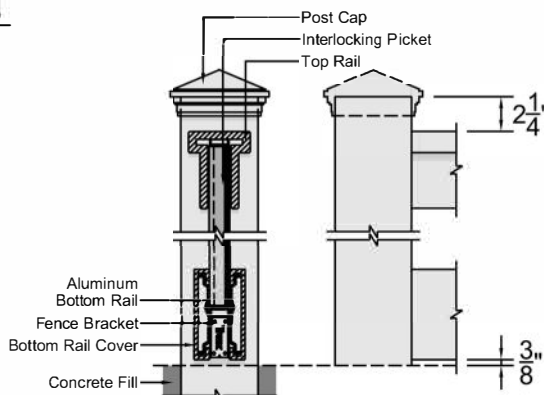
ARCHITECTURAL DRAWING:
TREX SECLUSIONS FENCING
9' TALL x 8' WIDE

Trex Company National Distribution Partner



COMPONENTS	QUANTITY	LENGTH
Post Cap: Pyramid, Flat	1	
5" x 5" Post	1	144" *
3.5"x3.5"x3/16 Galv. Steel Post	1	108"
4" x 4.9" Top Rail	1	91" *
1"x5.75" Interlocking Picket	19	67" *
1"x5.75" Interlocking Picket (Cut to 33 3/8")	9.5	67" *
1" x 5.75" Bottom Rail Cover	4	91" *
Aluminum Bottom Rail	2	90 1/2"
Fence Bracket	6	
1 5/8" Wood Screw	24	
3/4" x #8 Wood Screw	8	
1" Wood Screw	4	
1 1/2" x #14 Self-tapping Screw	2	

* Length may vary



Post Profile: Cut View / Elevation View

NOTES:

1. INSTALLATION TO BE COMPLETED PER MANUFACTURER'S SPECIFICATION.
2. THIS DRAWING IS PROVIDED FOR PLANNING PURPOSES. REFER TO MANUFACTURER'S INSTALLATIONS FOR CONSTRUCTION DETAILS.
3. REFER TO MANUFACTURER'S WEBSITE FOR PRODUCT INFORMATION.
4. DRAWING NOT TO SCALE.

SRF Fence & Supply Co.
Trex®
Fence Distribution

www.trexfencingsrf.com
855.620.TREX (8739)
SRF Fence & Supply Co.
1745 Shea Center Dr., Ste. 370
Highlands Ranch, CO 80129